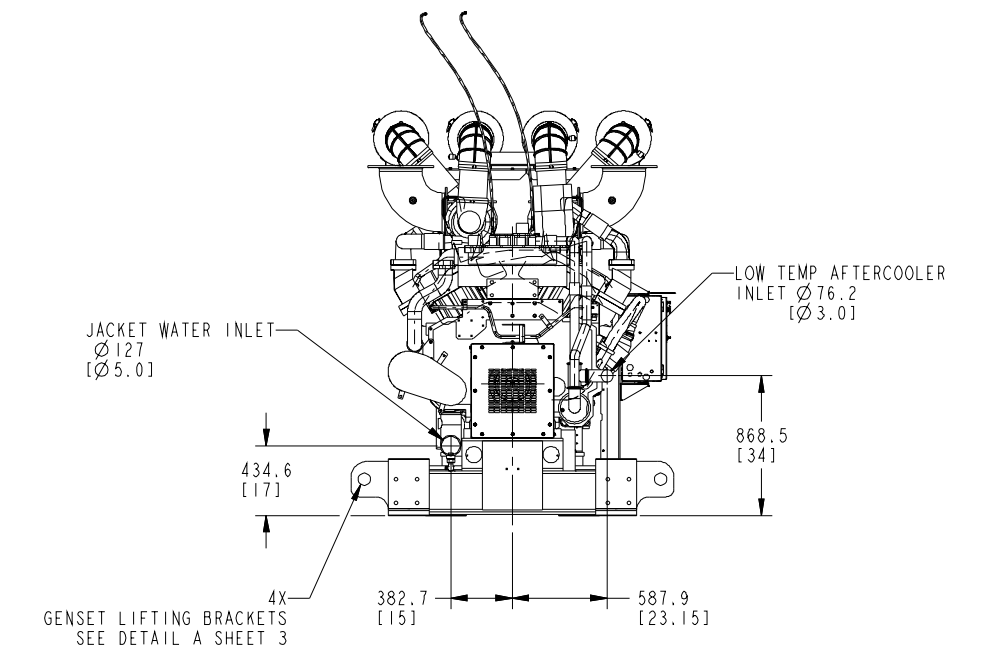
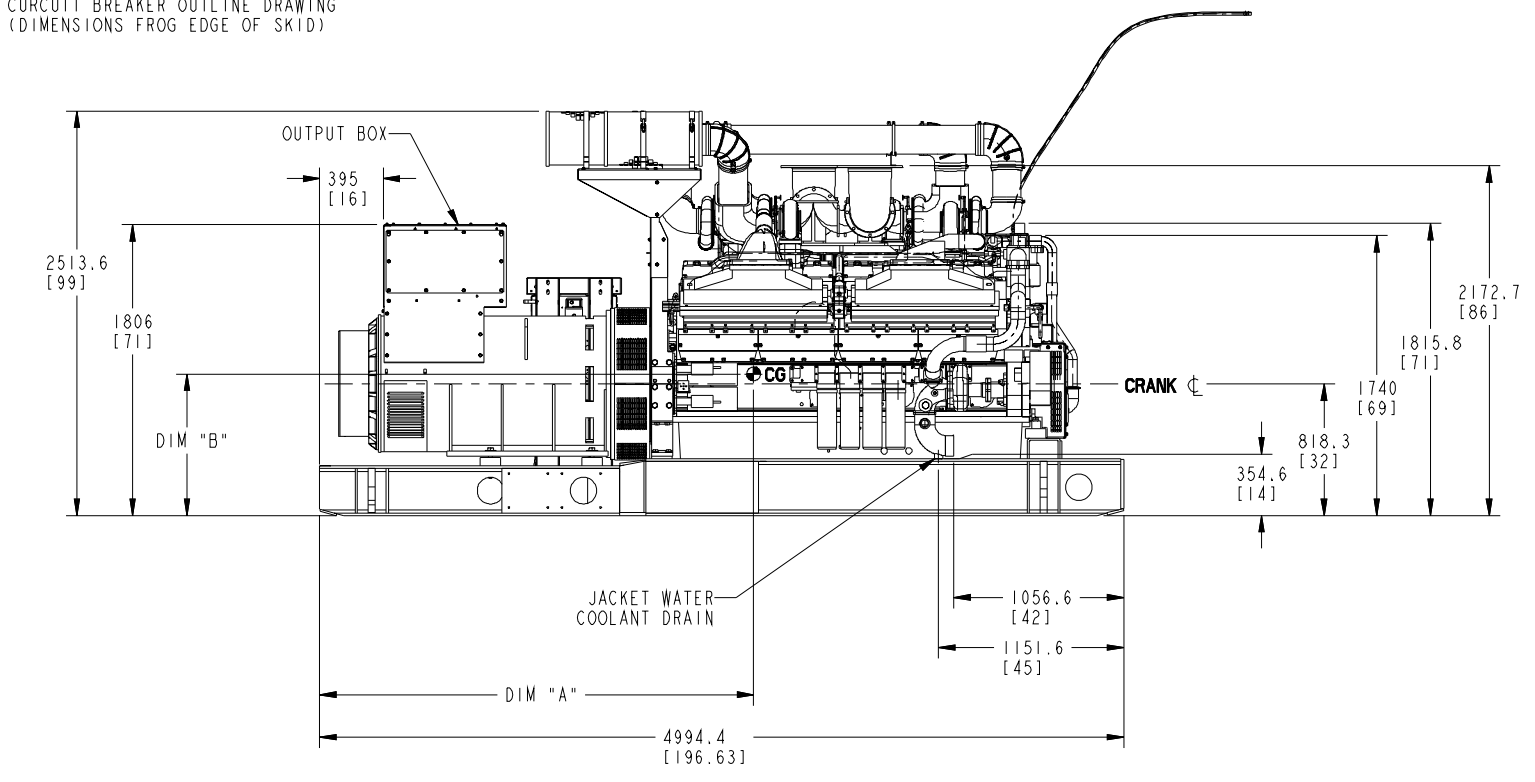
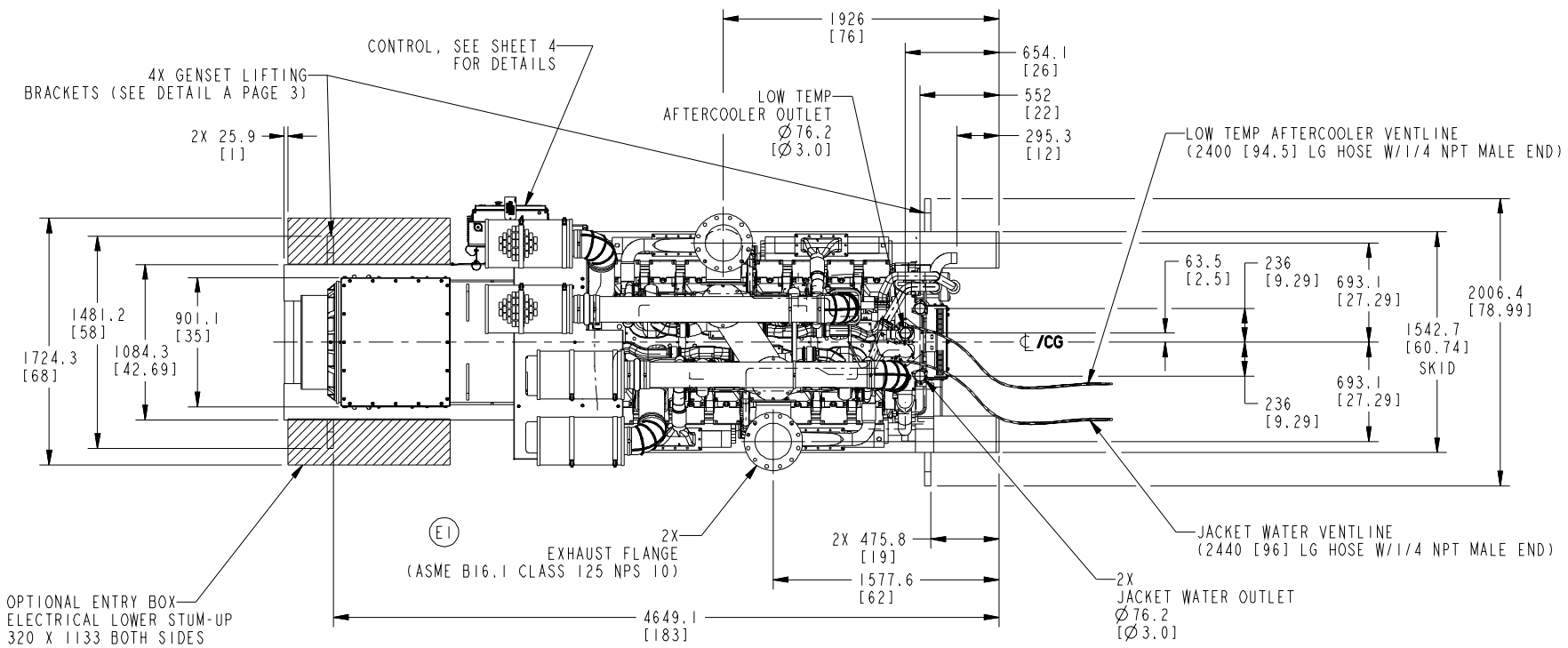


REL NO	LTR	NO	REVISION	ZONE	DR	CHKR	APPROVED	DATE
FRD17478	A	1	PRODUCTION RELEASE	-	MTA	BH	HENNING	08-01-03
FRD19449	B	1	ADDED 395 DIM	5B	MTA	BH	HENNING	02-10-04
		2	SEE SHEET 2	-	MTA	BH	HENNING	02-10-04
		3	SEE SHEET 5	-	MTA	BH	HENNING	02-10-04
		4	SEE SHEET 6	-	MTA	BH	HENNING	02-10-04
		5	SEE SHEET 7	-	MTA	BH	HENNING	02-10-04
FRD20897	C	1	SEE SHEET 6	-	GWH	BH	HENNING	07-19-04
		2	SEE SHEET 7	-	GWH	BH	HENNING	07-19-04
FRD20842	D	1	SEE SHEET 2	-	LDH	LH	HENNING	08-02-04
FRD21945	E	1	ASME WAS ANSI	5C	MTA	BH	HENNING	10-28-04
		2	SEE SHEET 2	-	MTA	BH	HENNING	10-28-04
		3	SEE SHEET 3	-	MTA	BH	HENNING	10-28-04

NOTE:

1. DIMENSIONS SHOWN IN [] BRACKETS ARE INCHES.
2. DO NOT ATTACH SOLID CONDUIT TO CONTROL BOX.
3. GENSET SHIPPED FILLED WITH ENGINE OIL.

TABULATION OIL SUMP (46.5 U.S. GALLONS)				
GEN FRAME SIZE	DIM "A" C.G.	DIM "B" C.G.	GENSET WT W/O COOLANT	
			KGS	LBS
PTG	2452 [96.5]	900 [35.4]	13104	28889



REMOTE COOLED P7 ALTERNATOR

DO NOT SCALE PRINT		TOLERANCE UNLESS OTHERWISE SPECIFIED		DIM TO		DATE		CUMMINS POWER GENERATION	
INCH		MILL		FIRST ANGLE PROJECTION		DATE		MINNEAPOLIS, MINNESOTA 55432	
.XX ± 0.08		.XX ±		Ø		08-01-03		GENSET_OUTLINE (E043)	
.XX ± 0.38		.XX ±		Ø		08-01-03		SITE CODE	
.XX ± 0.38		.XX ±		Ø		08-01-03		PGA	
.XX ± 0.38		.XX ±		Ø		08-01-03		0500_3878	
.XX ± 0.38		.XX ±		Ø		08-01-03		1 of 7	
.XX ± 0.38		.XX ±		Ø		08-01-03		D	